

| | | | | | | |
|-------|-----|-------------|--------|--------|--------|---------|
| MARK | QTY | DESCRIPTION | LENGTH | WEIGHT | GRADE | REMARKS |
| B4065 | 1 | ONE BEAM | 10223 | 1355 | 350M-C | |
| B4066 | 2 | 2 BRG WELDS | 288 | 3 | 350M-C | |
| B4067 | 4 | 4 BRG WELDS | 288 | 3 | 350M-C | |
| B4068 | 4 | 4 BRG WELDS | 288 | 3 | 350M-C | |
| B4069 | 2 | 2 BRG WELDS | 288 | 3 | 350M-C | |
| B4070 | 2 | 2 BRG WELDS | 288 | 3 | 350M-C | |
| B4071 | 1 | 1 BRG WELD | 661 | 20 | 350M | |

| | | | | | | |
|-------|-----|-------------|--------|--------|--------|---------|
| MARK | QTY | DESCRIPTION | LENGTH | WEIGHT | GRADE | REMARKS |
| B4065 | 1 | ONE BEAM | 10223 | 1355 | 350M-C | |
| B4066 | 2 | 2 BRG WELDS | 288 | 3 | 350M-C | |
| B4067 | 4 | 4 BRG WELDS | 288 | 3 | 350M-C | |
| B4068 | 4 | 4 BRG WELDS | 288 | 3 | 350M-C | |
| B4069 | 2 | 2 BRG WELDS | 288 | 3 | 350M-C | |
| B4070 | 2 | 2 BRG WELDS | 288 | 3 | 350M-C | |
| B4071 | 1 | 1 BRG WELD | 661 | 20 | 350M | |

| | | | | | | |
|-------|-----|-------------|--------|--------|--------|---------|
| MARK | QTY | DESCRIPTION | LENGTH | WEIGHT | GRADE | REMARKS |
| B4065 | 1 | ONE BEAM | 10223 | 1355 | 350M-C | |
| B4066 | 2 | 2 BRG WELDS | 288 | 3 | 350M-C | |
| B4067 | 4 | 4 BRG WELDS | 288 | 3 | 350M-C | |
| B4068 | 4 | 4 BRG WELDS | 288 | 3 | 350M-C | |
| B4069 | 2 | 2 BRG WELDS | 288 | 3 | 350M-C | |
| B4070 | 2 | 2 BRG WELDS | 288 | 3 | 350M-C | |
| B4071 | 1 | 1 BRG WELD | 661 | 20 | 350M | |

| | | | | | | |
|-------|-----|-------------|--------|--------|--------|---------|
| MARK | QTY | DESCRIPTION | LENGTH | WEIGHT | GRADE | REMARKS |
| B4065 | 1 | ONE BEAM | 10223 | 1355 | 350M-C | |
| B4066 | 2 | 2 BRG WELDS | 288 | 3 | 350M-C | |
| B4067 | 4 | 4 BRG WELDS | 288 | 3 | 350M-C | |
| B4068 | 4 | 4 BRG WELDS | 288 | 3 | 350M-C | |
| B4069 | 2 | 2 BRG WELDS | 288 | 3 | 350M-C | |
| B4070 | 2 | 2 BRG WELDS | 288 | 3 | 350M-C | |
| B4071 | 1 | 1 BRG WELD | 661 | 20 | 350M | |

| | | | | | | |
|-------|-----|-------------|--------|--------|--------|---------|
| MARK | QTY | DESCRIPTION | LENGTH | WEIGHT | GRADE | REMARKS |
| B4065 | 1 | ONE BEAM | 10223 | 1355 | 350M-C | |
| B4066 | 2 | 2 BRG WELDS | 288 | 3 | 350M-C | |
| B4067 | 4 | 4 BRG WELDS | 288 | 3 | 350M-C | |
| B4068 | 4 | 4 BRG WELDS | 288 | 3 | 350M-C | |
| B4069 | 2 | 2 BRG WELDS | 288 | 3 | 350M-C | |
| B4070 | 2 | 2 BRG WELDS | 288 | 3 | 350M-C | |
| B4071 | 1 | 1 BRG WELD | 661 | 20 | 350M | |

| | | | | | | |
|-------|-----|-------------|--------|--------|--------|---------|
| MARK | QTY | DESCRIPTION | LENGTH | WEIGHT | GRADE | REMARKS |
| B4065 | 1 | ONE BEAM | 10223 | 1355 | 350M-C | |
| B4066 | 2 | 2 BRG WELDS | 288 | 3 | 350M-C | |
| B4067 | 4 | 4 BRG WELDS | 288 | 3 | 350M-C | |
| B4068 | 4 | 4 BRG WELDS | 288 | 3 | 350M-C | |
| B4069 | 2 | 2 BRG WELDS | 288 | 3 | 350M-C | |
| B4070 | 2 | 2 BRG WELDS | 288 | 3 | 350M-C | |
| B4071 | 1 | 1 BRG WELD | 661 | 20 | 350M | |

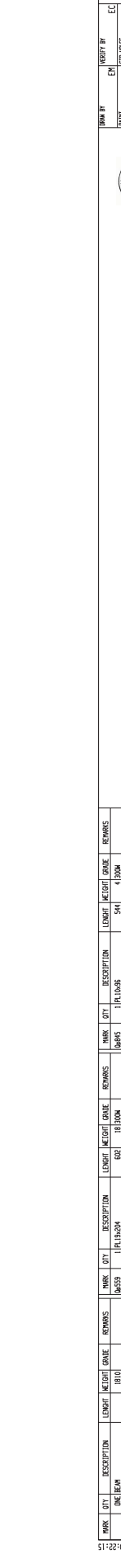
| | | | | | | |
|-------|-----|-------------|--------|--------|--------|---------|
| MARK | QTY | DESCRIPTION | LENGTH | WEIGHT | GRADE | REMARKS |
| B4065 | 1 | ONE BEAM | 10223 | 1355 | 350M-C | |
| B4066 | 2 | 2 BRG WELDS | 288 | 3 | 350M-C | |
| B4067 | 4 | 4 BRG WELDS | 288 | 3 | 350M-C | |
| B4068 | 4 | 4 BRG WELDS | 288 | 3 | 350M-C | |
| B4069 | 2 | 2 BRG WELDS | 288 | 3 | 350M-C | |
| B4070 | 2 | 2 BRG WELDS | 288 | 3 | 350M-C | |
| B4071 | 1 | 1 BRG WELD | 661 | 20 | 350M | |

| | | | | | | |
|-------|-----|-------------|--------|--------|--------|---------|
| MARK | QTY | DESCRIPTION | LENGTH | WEIGHT | GRADE | REMARKS |
| B4065 | 1 | ONE BEAM | 10223 | 1355 | 350M-C | |
| B4066 | 2 | 2 BRG WELDS | 288 | 3 | 350M-C | |
| B4067 | 4 | 4 BRG WELDS | 288 | 3 | 350M-C | |
| B4068 | 4 | 4 BRG WELDS | 288 | 3 | 350M-C | |
| B4069 | 2 | 2 BRG WELDS | 288 | 3 | 350M-C | |
| B4070 | 2 | 2 BRG WELDS | 288 | 3 | 350M-C | |
| B4071 | 1 | 1 BRG WELD | 661 | 20 | 350M | |

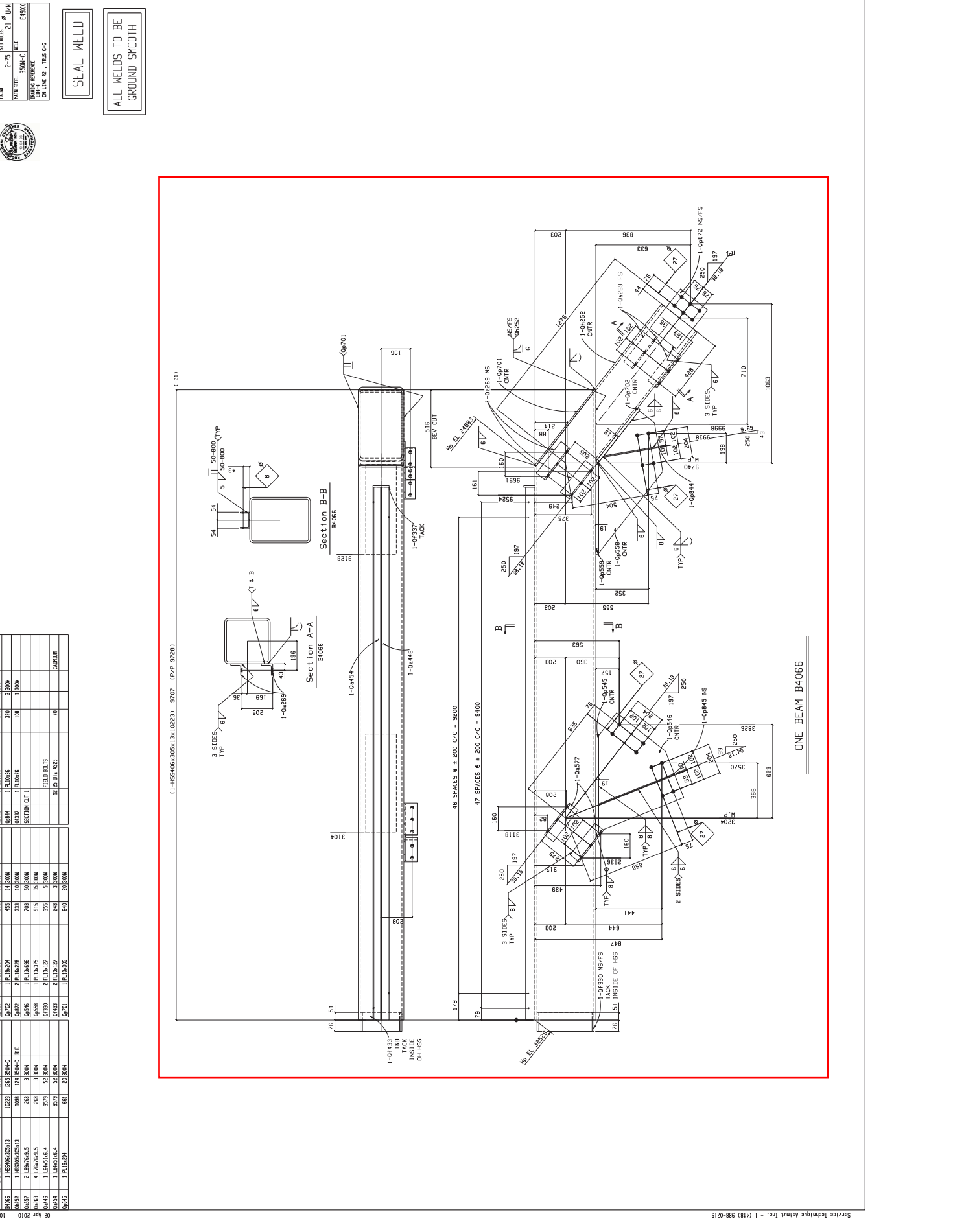
| | | | | | | |
|-------|-----|-------------|--------|--------|--------|---------|
| MARK | QTY | DESCRIPTION | LENGTH | WEIGHT | GRADE | REMARKS |
| B4065 | 1 | ONE BEAM | 10223 | 1355 | 350M-C | |
| B4066 | 2 | 2 BRG WELDS | 288 | 3 | 350M-C | |
| B4067 | 4 | 4 BRG WELDS | 288 | 3 | 350M-C | |
| B4068 | 4 | 4 BRG WELDS | 288 | 3 | 350M-C | |
| B4069 | 2 | 2 BRG WELDS | 288 | 3 | 350M-C | |
| B4070 | 2 | 2 BRG WELDS | 288 | 3 | 350M-C | |
| B4071 | 1 | 1 BRG WELD | 661 | 20 | 350M | |

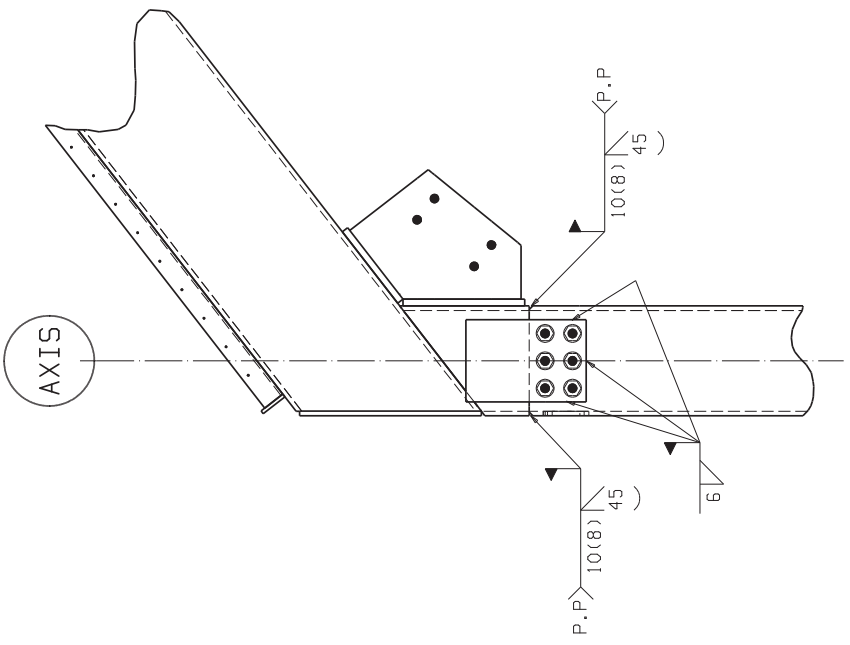
| | | | | | | |
|-------|-----|-------------|--------|--------|--------|---------|
| MARK | QTY | DESCRIPTION | LENGTH | WEIGHT | GRADE | REMARKS |
| B4065 | 1 | ONE BEAM | 10223 | 1355 | 350M-C | |
| B4066 | 2 | 2 BRG WELDS | 288 | 3 | 350M-C | |
| B4067 | 4 | 4 BRG WELDS | 288 | 3 | 350M-C | |
| B4068 | 4 | 4 BRG WELDS | 288 | 3 | 350M-C | |
| B4069 | 2 | 2 BRG WELDS | 288 | 3 | 350M-C | |
| B4070 | 2 | 2 BRG WELDS | 288 | 3 | 350M-C | |
| B4071 | 1 | 1 BRG WELD | 661 | 20 | 350M | |

| | | | | | | |
|-------|-----|-------------|--------|--------|--------|---------|
| MARK | QTY | DESCRIPTION | LENGTH | WEIGHT | GRADE | REMARKS |
| B4065 | 1 | ONE BEAM | 10223 | 1355 | 350M-C | |
| B4066 | 2 | 2 BRG WELDS | 288 | 3 | 350M-C | |
| B4067 | 4 | 4 BRG WELDS | 288 | 3 | 350M-C | |
| B4068 | 4 | 4 BRG WELDS | 288 | 3 | 350M-C | |
| B4069 | 2 | 2 BRG WELDS | 288 | 3 | 350M-C | |
| B4070 | 2 | 2 BRG WELDS | 288 | 3 | 350M-C | |
| B4071 | 1 | 1 BRG WELD | 661 | 20 | 350M | |



| | | | | | | |
|-------|-----|-------------|--------|--------|--------|---------|
| MARK | QTY | DESCRIPTION | LENGTH | WEIGHT | GRADE | REMARKS |
| B4065 | 1 | ONE BEAM | 10223 | 1355 | 350M-C | |
| B4066 | 2 | 2 BRG WELDS | 288 | 3 | 350M-C | |
| B4067 | 4 | 4 BRG WELDS | 288 | 3 | 350M-C | |
| B4068 | 4 | 4 BRG WELDS | 288 | 3 | 350M-C | |
| B4069 | 2 | 2 BRG WELDS | 288 | 3 | 350M-C | |
| B4070 | 2 | 2 BRG WELDS | 288 | 3 | 350M-C | |
| B4071 | 1 | 1 BRG WELD | 661 | 20 | 350M | |





DETAIL A

TYP WELD FOR TRUSS SPLICE

